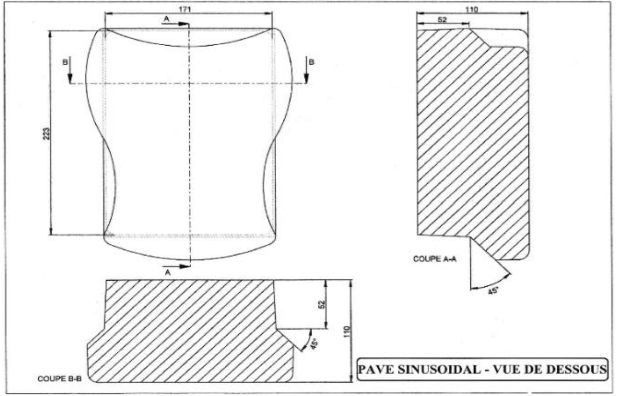
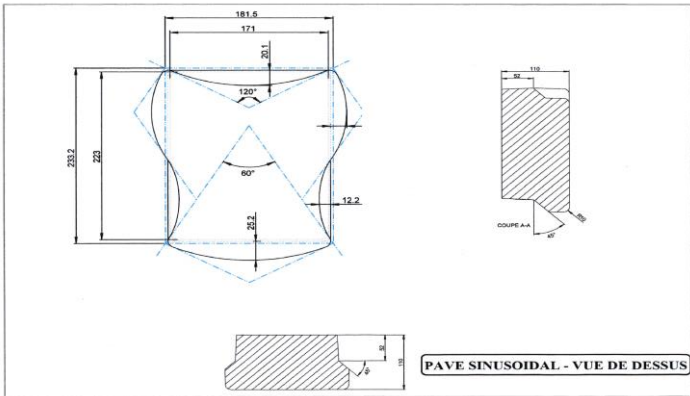
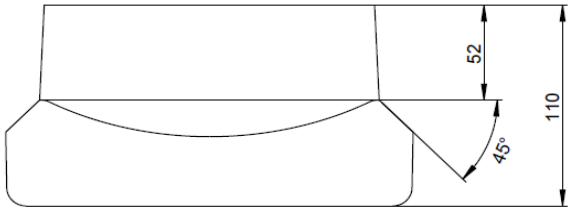
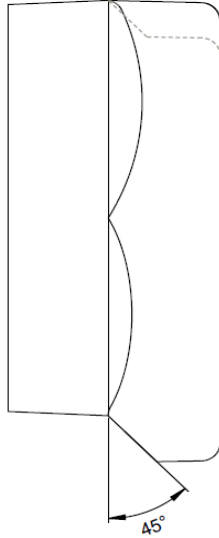
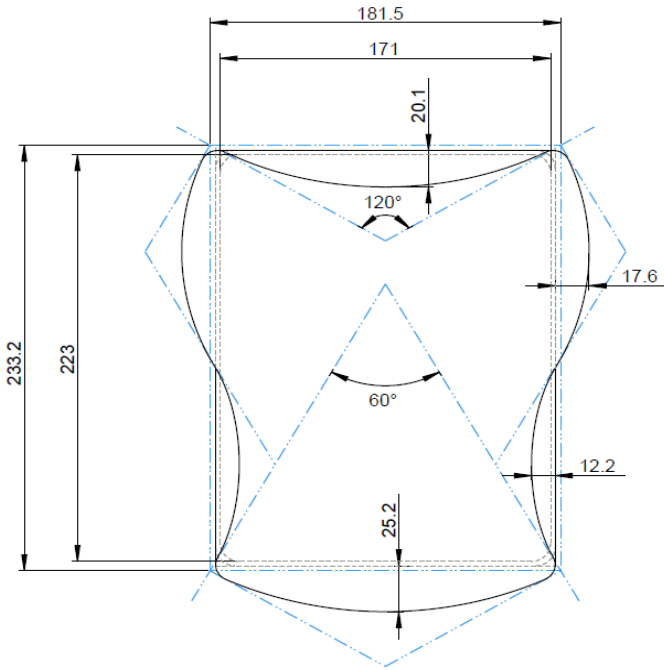


SINUSOIDALE

Marque *GHL*



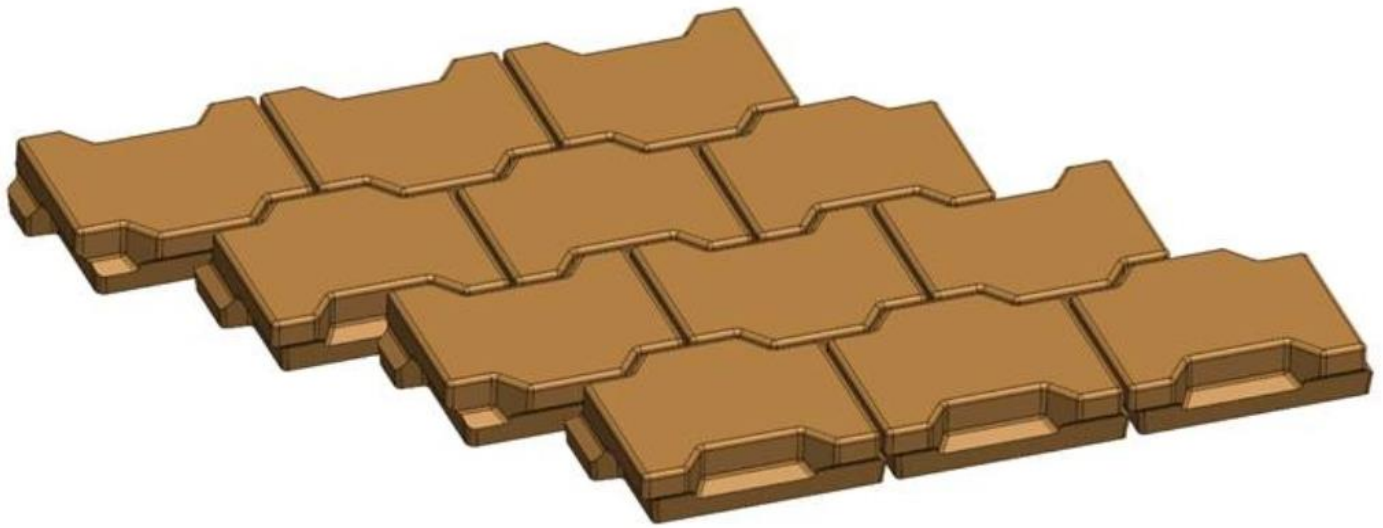
I.G. TOGO SARL
B.P. 391 Lomé - Togo
Email: igtogo@yahoo.fr

PAVE SINUSOIDAL
Reference 1-2/8-11-13



I.G. TOGO SARL
B.P. 391 Lomé - Togo
Email: igtogo@yahoo.fr

PAVE EN " Y "
Reference 9/8-11-13



I.G. TOGO SARL
B.P. 391 Lomé - Togo
Email: igtogo@yahoo.fr

PAVE EN " Y "
Reference 9/8-11-14

